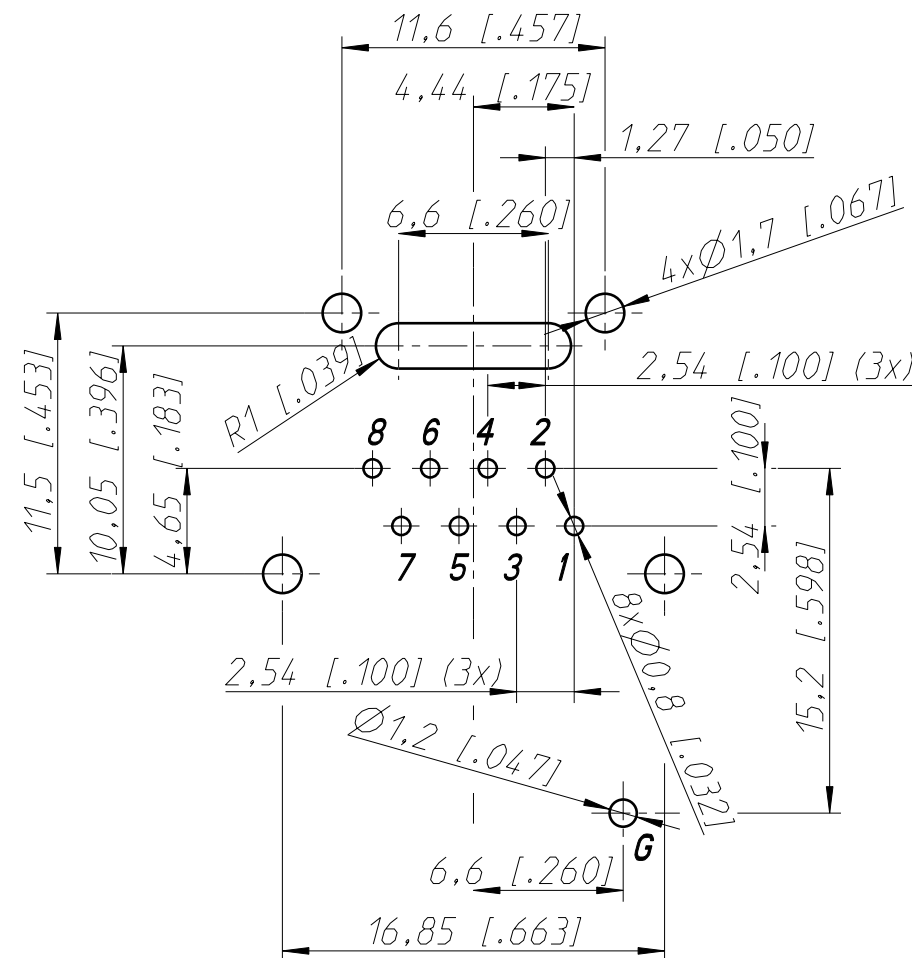
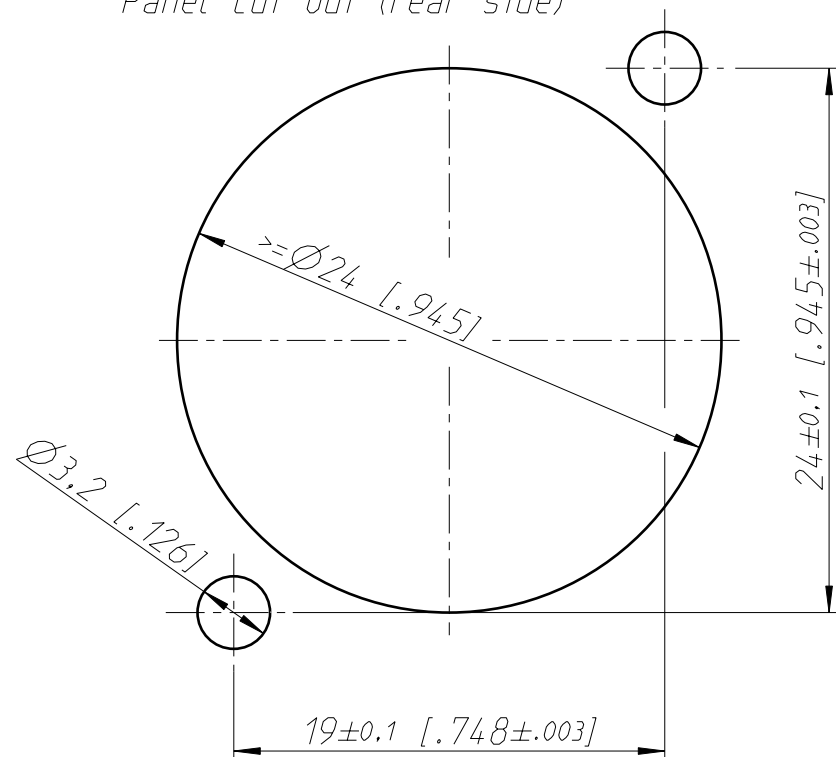


Frontplattenausschnitt (Rueckseite)
Panel cut out (rear side)



PCB-Layout (scale 3:1)
= contact arrangement seen
from backside
(view to the very right)

General tolerances ISO 2768-m	Scale	Date	Name
Refer to protection notice ISO 16016.	3:2 (A3)	11.10.17	Ender
Name		Modified	-
		Change-No.	Sheet-No.
		-	1 / 1
Replacement for:		Drawing-No.	
NE8FDV-TOP		ST-NE8FDV-TOP	
NEUTRIK			