

# SEETRONIC

## Product Data Sheet

**Product Type** Speaker Connector

**Product Model** ML4FC-X

**Customer Name** \_\_\_\_\_

Manufacturer	Prepared	Checked	Approved

Customer	Received	Checked	Confirmed



## Product Data Sheet

<b>Product Type</b>	<b>Speaker Connector</b>	
<b>Product Model</b>	<b>ML4FC-X</b>	

### Product Features

- 4 pole loudspeaker plug
- Current rating up to 30 A rms continuous
- Strain relief chuck for cable 8-13mm OD
- Consists of 4 parts, easy to assemble plastic housing
- High impact materials - long-lasting and reliable
- Improved grip on latch for easy operation



## Product Data Sheet

### Product Parameters

Item	Specification
Connection Type	Speaker
Gender	Female

### Electrical Parameters

Item	Specification
Number of Contacts	4
Rated Current	30 A rms
Rated Voltage	250 V AC
Contact Resistance	$\leq 3 \text{ m}\Omega$
Dielectric Strength	4 KV DC
Insulation Resistance	$> 1 \text{ G}\Omega$
Attention	Cannot be used as an AC source or power connector!



## Product Data Sheet

### Mechanical Parameters

Item	Specification
Service Life	> 1000 mating cycles
Cable OD	8-13 mm
Cable size	Max. 4 mm <sup>2</sup>

### Material and Environmental Parameters

Item	Specification
Housing	PA
Contacts	Cu alloy
Contact plating	Ag
Inner core	PA
Flame-retardant grade	UL 94-V0
Temperature range	-30°C ~ +80°C

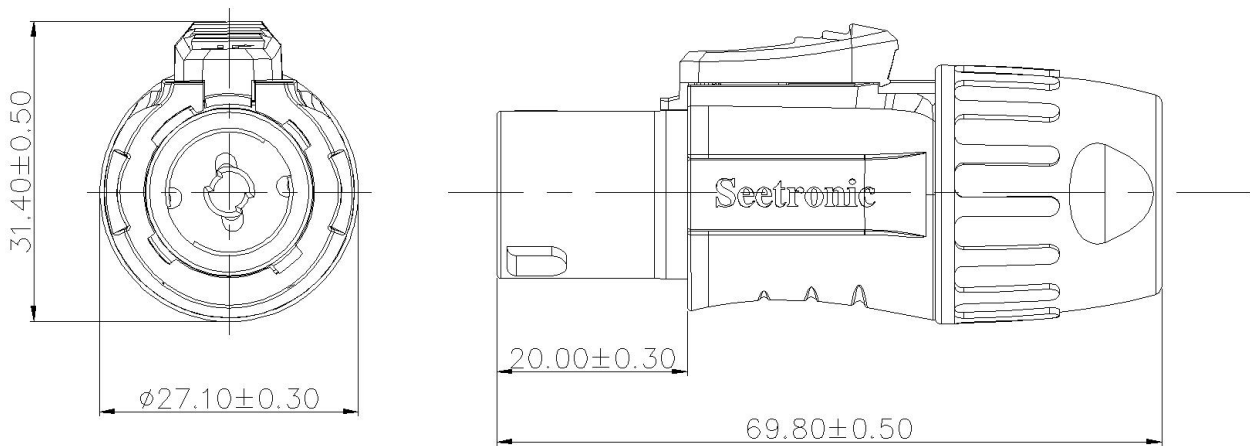
### Standards and Certifications

Standards	IEC 61984
-----------	-----------



## Product Data Sheet

### Product Drawing



Unit: mm

### Packaging Method

PE bag packing, 1 pc per bag  
50 pcs per inner cartons, 5 cartons per master carton (250 pcs per master carton)

### Accessory

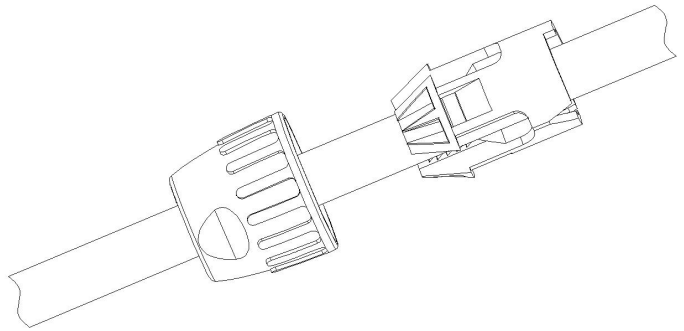
- |  |  |
|--|--|
| <input checked="" type="checkbox"/> No accessories | <input type="checkbox"/> Back fastener plate |
| <input type="checkbox"/> Screws and Nuts           | <input type="checkbox"/> Other               |



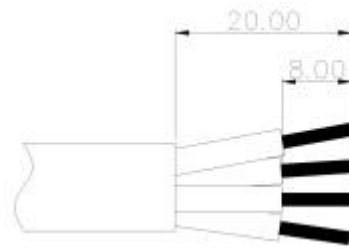
## Product Data Sheet

### Assembly Instructions

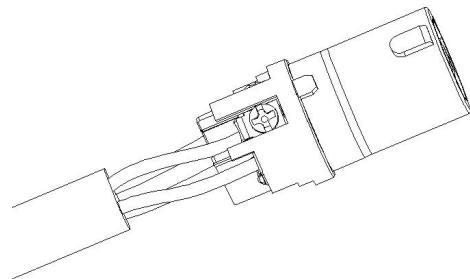
(1) Put the cable through the boot sleeve and clamp



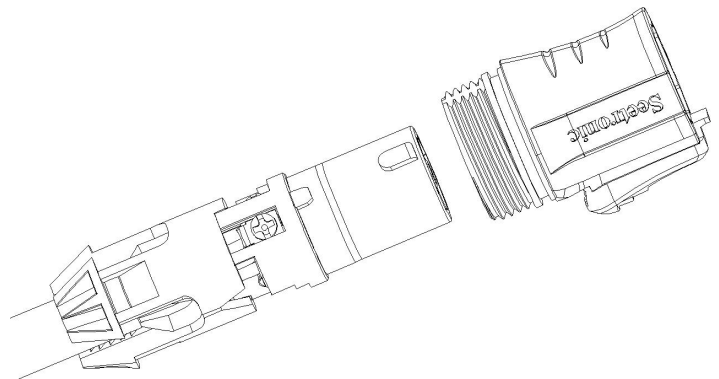
(2) Strip the cable in the size as shown.



(3) Insert the cable conductor part into the inner core terminal and locked with 0.5 Nm torque screws.



(4) Push the cable clamp and inner core assembly into the housing.



## Product Data Sheet

### Assembly Instructions

- (5) Finally, screw the boot into the housing and tighten in a clockwise direction.

