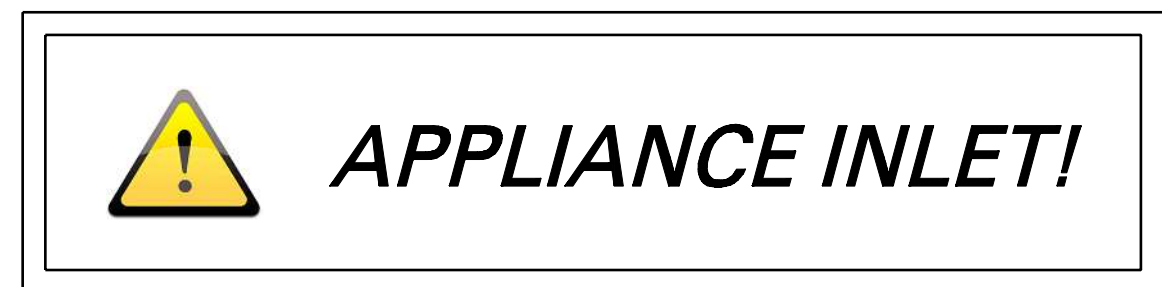
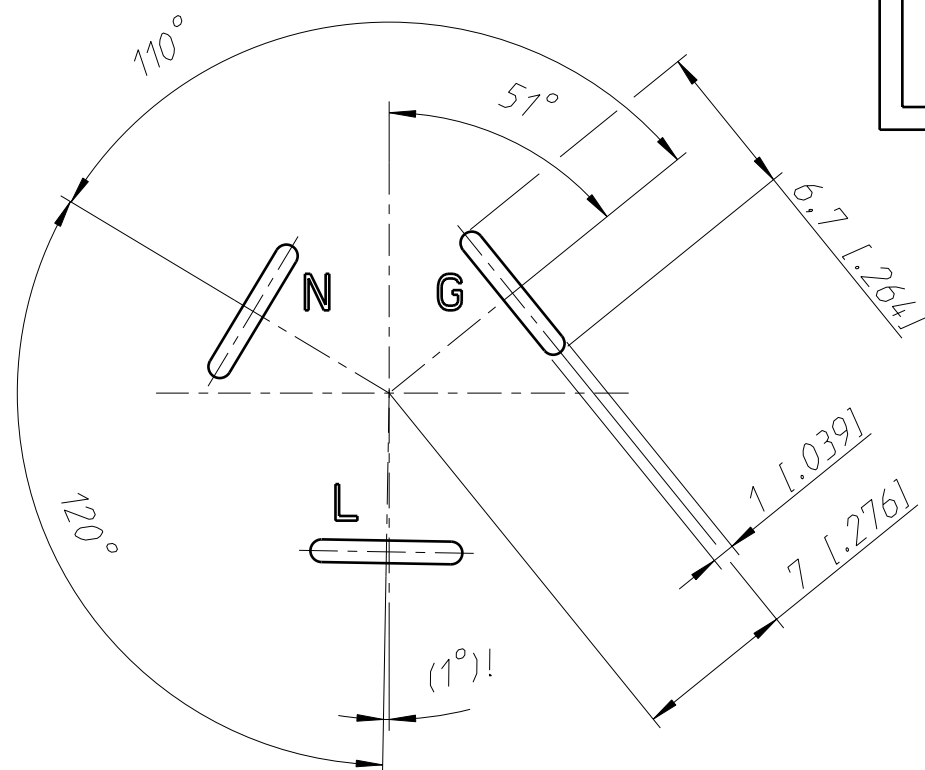
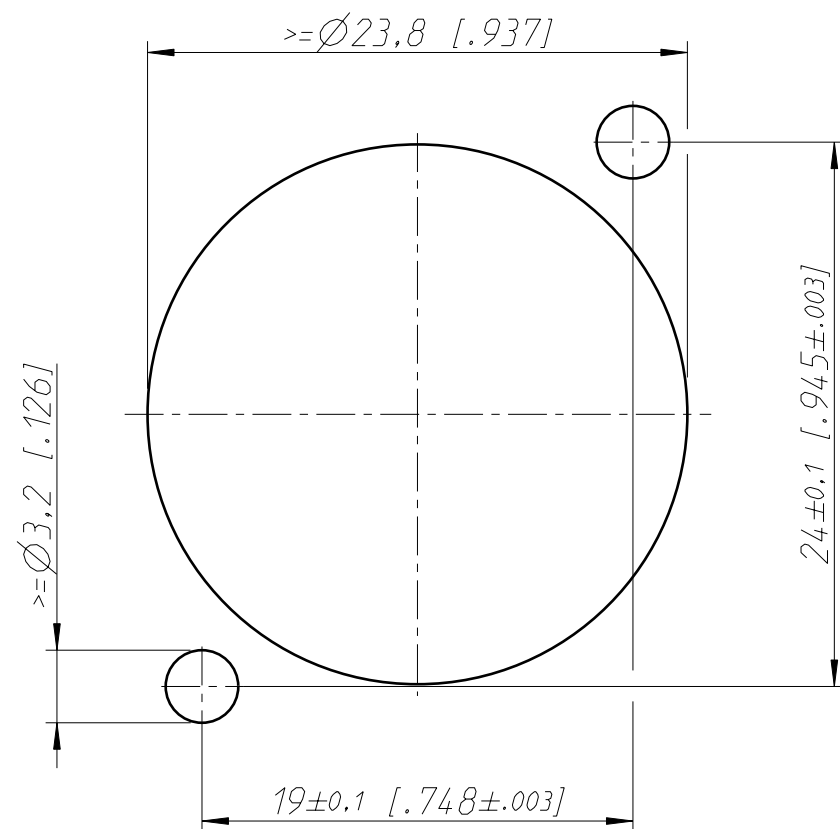


Frontplattenausschnitt Rückseite  
panel cutout rearside

Leiterplatten Layout Bestückungsseite  
PCB-Layout (component side)  
Toleranz:  $\pm 0.05$  [0.002]



General tolerances ISO 2768-m	Scale	Date	Name
Refer to protection notice ISO 16016.	3:1 (A3)	03.05.18	Ender
Name	powerCON TRUE1 TOP	Modified	-
NAC3MPX-WOT-TOP		Change-No.	Sheet-No.
		-	1 / 1
		Index	-
Replacement for:		Drawing-No.	
NEUTRIK		ST-NAC3MPX-WOT-TOP	