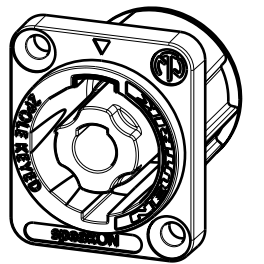
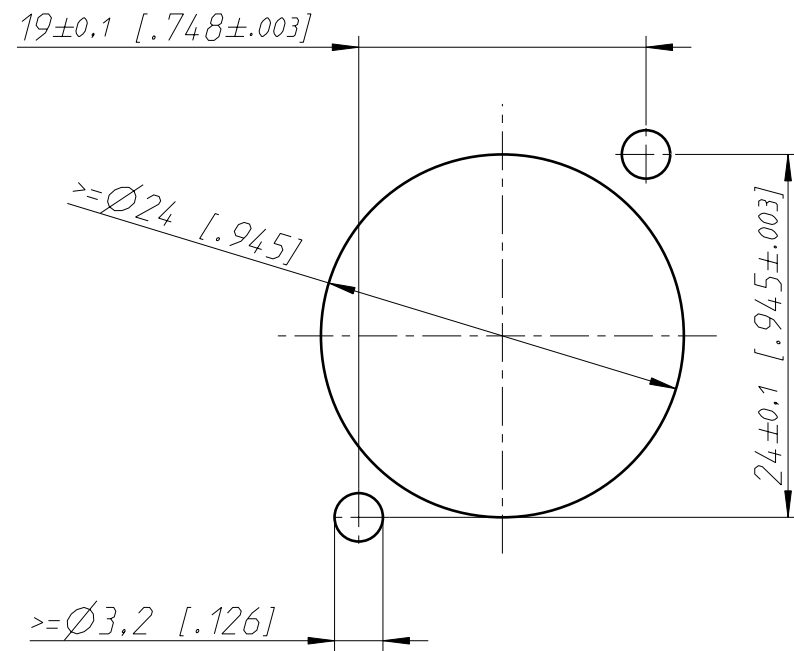


Frontplattenausschnitt Rückseite  
panel cutout rearside



1:1

General tolerances ISO 2768-m	Scale	Date	Name
Refer to protection notice ISO 16016.	2:1 (A3)	25.10.19	Hofmann
Name		Drawn	Modified
NL2MPXX		-	-
		Change-No.	Sheet-No.
		-	1 / 1
		Index	-
Replacement for:		Drawing-No.	
NEUTRIK		ST-NL2MPXX	