

SEETRONIC

Product Data Sheet

Product Type RJ45 Socket

Product Model SE8FAH-C6-LED

Customer Name _____

Manufacturer	Prepared	Checked	Approved

Customer	Received	Checked	Confirmed



Product Data Sheet

Product Type	RJ45 Socket	
Product Model	SE8FAH-C6-LED	

Product Features

- Horizontal PCB mount RJ45 socket, CAT6, PoE++, two LED light pipes through holes on the plastic cover
- Match with SE8MC-1-NEW and SE8MC-02-NEW or any standard RJ45 plug
- Complies with CAT6 according to TIA/EIA 568B and ISO/IEC 11801 standards
- PoE++ compliant according to 802.3bt



Product Data Sheet

Product Parameters

Item	Specification
Connection Type	RJ45
Gender	Female

Electrical Parameters

Item	Specification
Contact resistance	< 10 mΩ
Rated current	1.5 A
Rated voltage	60 V
Insulation resistance	≥ 0.5 GΩ
Dielectric strength	1 KV DC
Frequency range	1~250 MHz
Transmission performance	CAT 6
Ethernet power supply	PoE++ acc. IEEE 802.3bt



Product Data Sheet

Mechanical Parameters

Item	Specification
Insertion force	≤ 30 N
Service life	> 1000 mating cycles
Locking device	Latch lock
PCB Wiring	Horizontal PCB mount

Material and Environmental Parameters

Item	Specification
Contacts	Copper alloy
Insert	PBT
Contact surface	Au
Housing plating	PBT
Flame-retardant grade	UL 94-V0
Temperature range	-30°C ~ +80°C

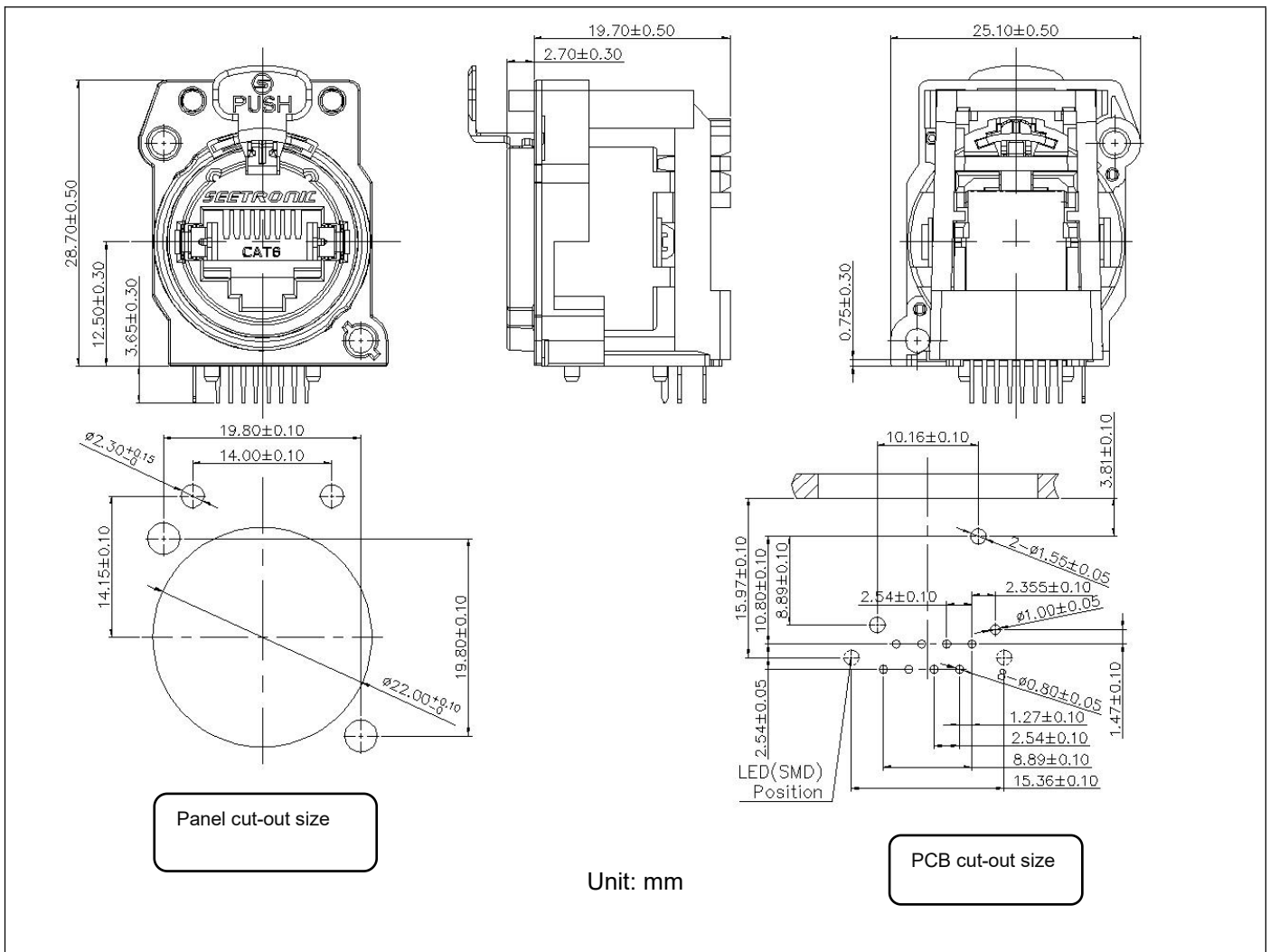
Standards and Certifications

Standards	ITIA/EIA 586B, IEC11801
-----------	-------------------------



Product Data Sheet

Product Drawing



Packaging Method

Blister box packaging

20pcs per blister box, 100pcs per inner box, 5 inner cartons per master carton (500pcs per master carton)



Product Data Sheet

Accessory

- | | |
|--|--|
| <input checked="" type="checkbox"/> No accessories | <input type="checkbox"/> Back fastener plate |
| <input type="checkbox"/> Screws and Nuts | <input type="checkbox"/> Waterproof gasket |

Assembly Instructions

Install the socket on the opening at the back of the panel and tighten the screws with 0.45 Nm torque in a clockwise direction.

(Note: The maximum thickness of the panel is 3.0mm)

