

VICSB8 / VICSB8X

CEILING LOUDSPEAKERS

In-ceiling Subwoofer w/ Back Can & Tile Bridge



PRODUCT OVERVIEW

VICSB8 is an in-ceiling subwoofer reinforcement loudspeaker with a great sound performance. It features an 8" woofer, 80WRMS @ 8ohm nominal power and 70/100V line transformer with 60/30/15/7.5/3.75W power connections. It integrates a crossover filter, and includes a metallic alloy grill ready to be painted if needed. VIC series provide a careful selection of components in a user-friendly design that seeks speed and versatility of installation on any surface, while maintaining excellent sound quality.

VICSB8X shares the same features as VIC8, and includes Back Can and Tile Bridge to provide more flexibility and versatile installation choices.

KEY FEATURES

- 8" subwoofer
- 80WRMS @ 8Ω
- Power selector: 60 / 30 / 15 / 7.5 / 3.75W @ 70/100V & 8Ω position
- Sensitivity (1W/1m): 87 dB SPL
- Metallic alloy paintable grill
- Diameter: 282mm
- Depth: 135mm (VICSB8) ; 200mm (VICSB8X)
- Colour: White, RAL9010
- Back can (only VICSB8X)
- Tile bridge (only VICSB8X)

APPLICATIONS

- Corporate and residential buildings
- Commercial premises
- Leisure centres
- Sound reinforcement in clubs, bars, etc.
- Health and sport centres
- Auditorium, museums
- 5.1 and 7.1 surround systems

ACCESSORIES AND COMPATIBLE DEVICES

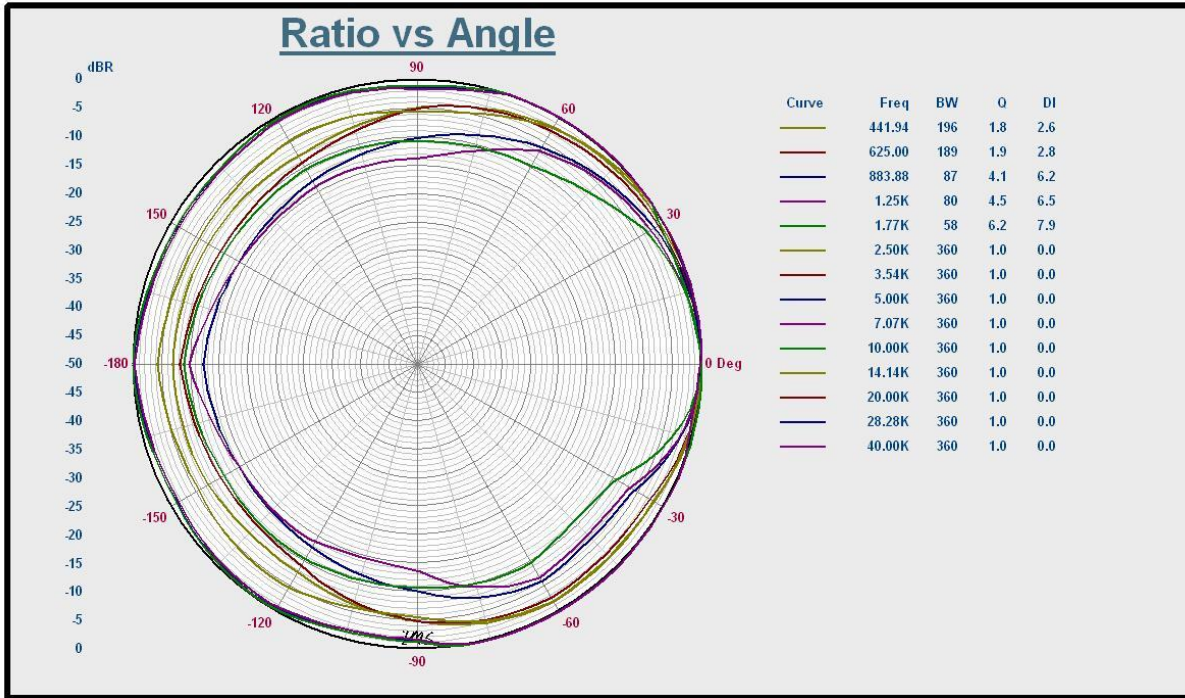
- VIC6/ VIC6X & VIC8/ VIC8X
- AVICSG
- AVICCAN8L

TECHNICAL SPECIFICATIONS

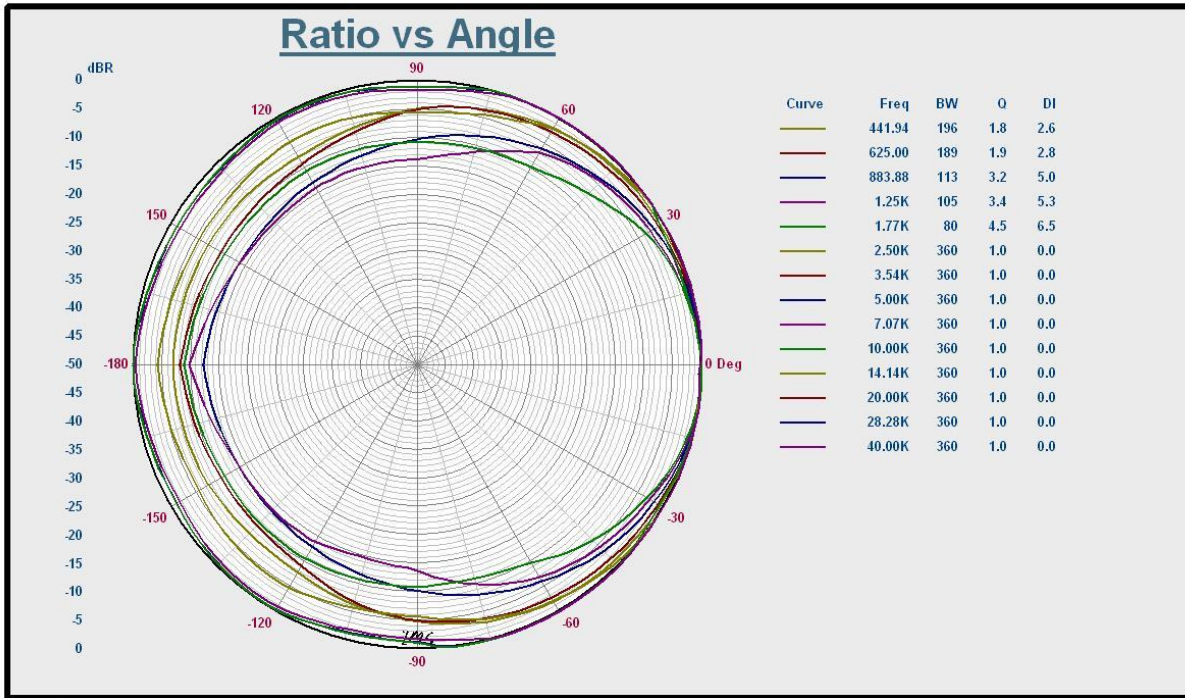
VICSB8 / VICSB8X

Impedance	8 Ω
RMS power	80W
Power options	100V: 60W / 30W / 15W / 7.5W 70V: 60W / 30W / 15W / 7.5W / 3.75W
Sensitivity 1W/1m	87dB
Recommended cut out diameter	246mm
Required depth	120mm
Dimensions (\varnothing xD)	VICSB8: 282x135mm / 11.1"x5.3" VICSB8X: 282x200mm / 11.1"x7.9"
Weight	VICSB8: 3.2kg / 7 lb. VICSB8X: 3.9kg / 8.6 lb.

POLAR DIAGRAMS
VICSB8

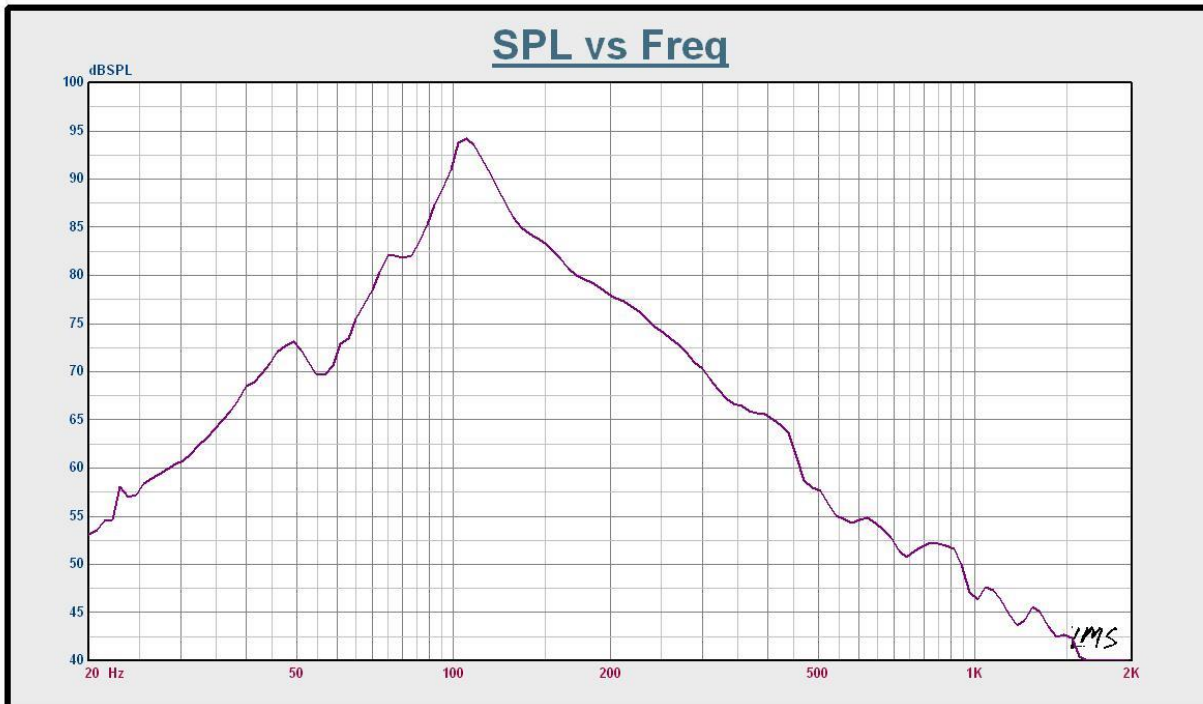


VICSB8X

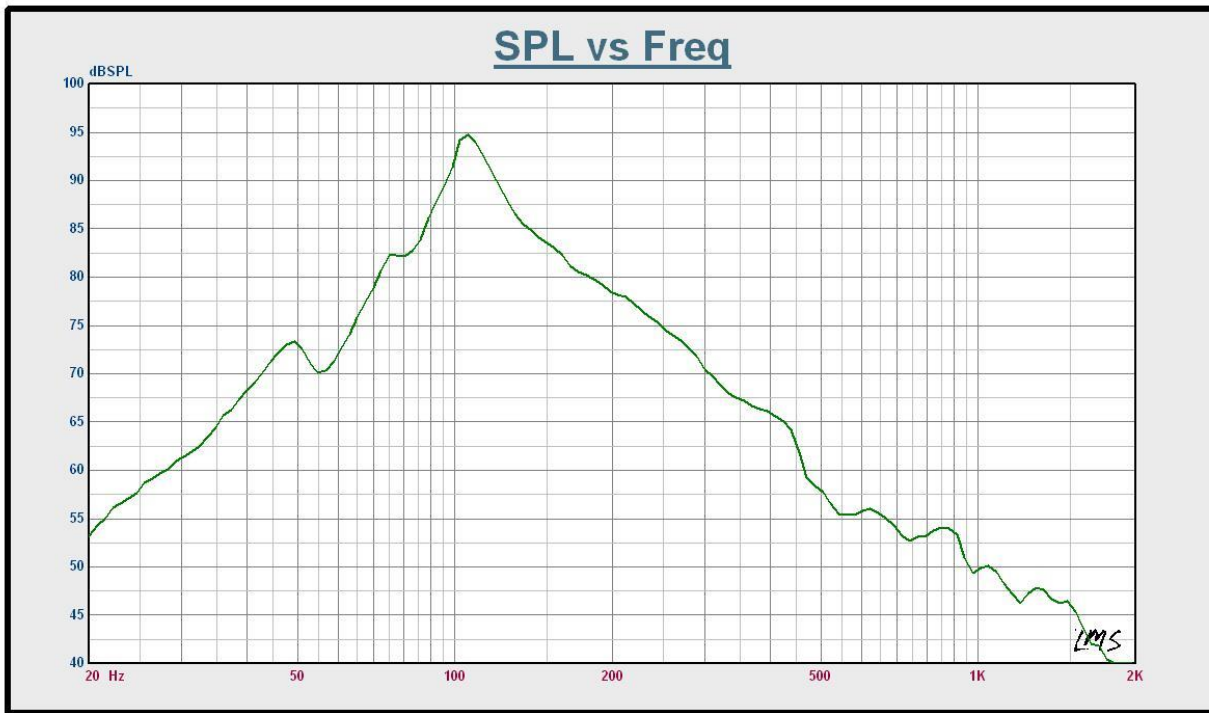


FREQUENCY RESPONSE

VICSB8

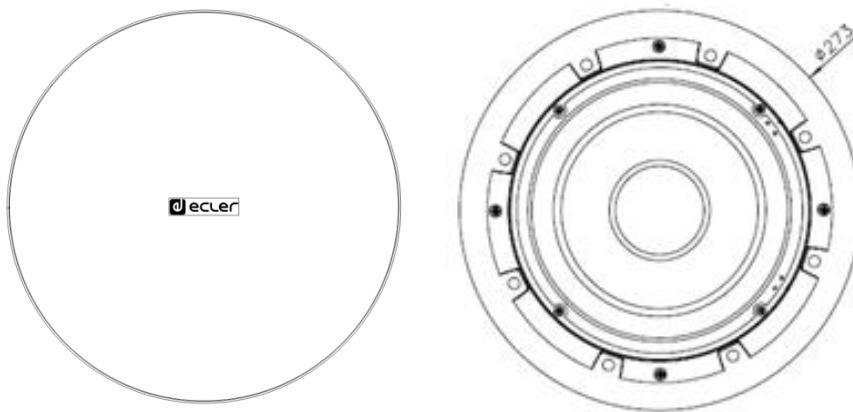


VICSB8X

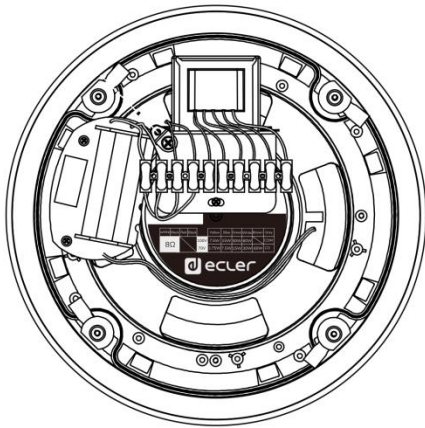


MECHANICAL DIAGRAMS

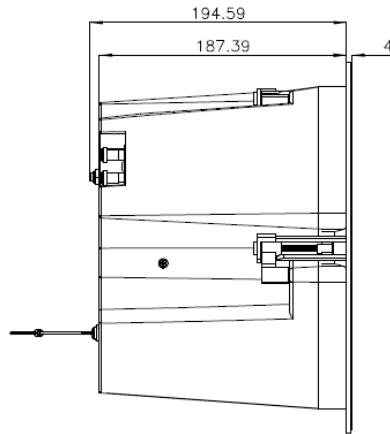
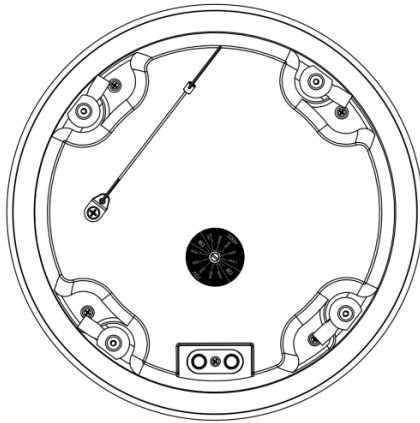
Front & grill view:



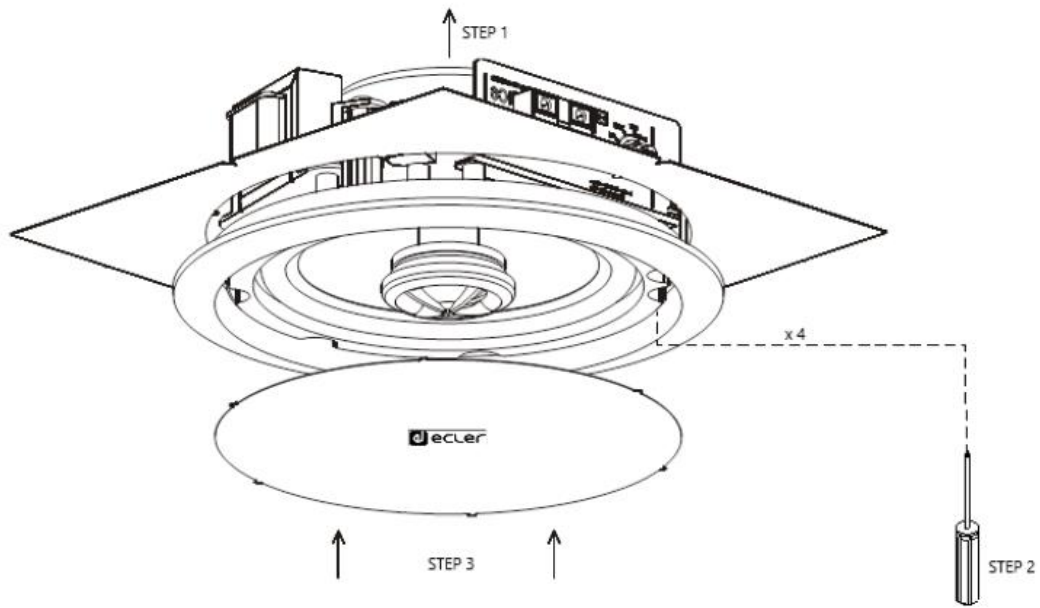
VICSB8 rear view:



VICSB8X lat & rear view:



MOUNTING DIAGRAM





All product characteristics are subject to variation due to production tolerances. **NEEC AUDIO BARCELONA S.L.** reserves the right to make changes or improvements in the design or manufacturing that may affect these product specifications.

Motors, 166-168 08038 Barcelona - Spain - (+34) 932238403 | information@ecler.com | www.ecler.com