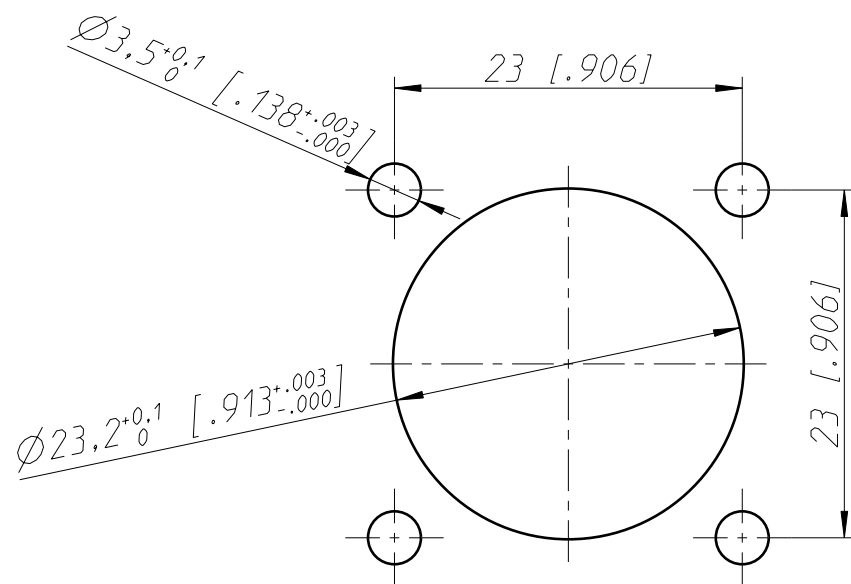
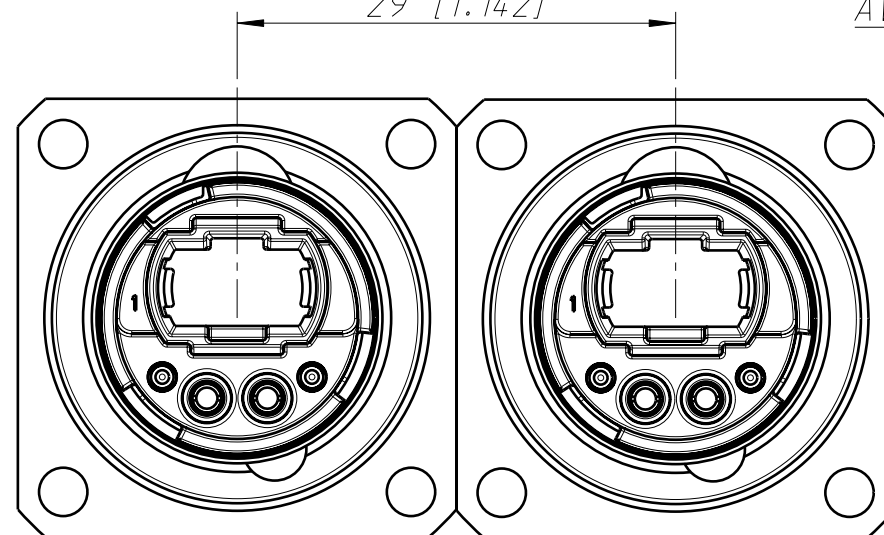


ACHTUNG: Frontplatte auf dieser Seite montieren!  
 ATTENTION: Front panel has to be mounted on this side!

Frontplattenausschnitt  
 Panel cutout

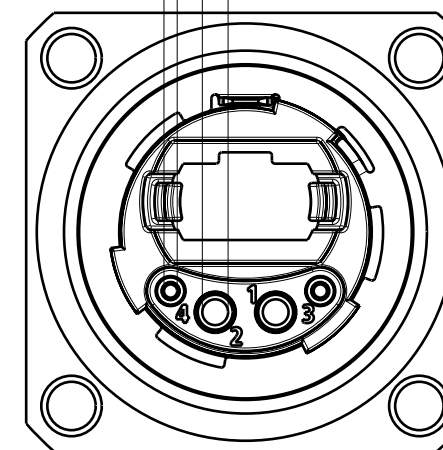


min. Einbauabstand  
 min. assembling distance



AWG 18 (Pos. 1, Pos. 2)

AWG 24 (Pos. 3, Pos. 4)



General tolerances ISO 2768-m		Scale		Date		Name	
Refer to protection notice ISO 16016.		2:1 (A3)		07.05.2019		Mangeng	
Name				Drawn		Modified	
Dragonfly				-		-	
ST-N02FW-XP				Change-No.		Sheet-No.	
-				-		1 / 1	
-				Index		-	
-				Replacement for:			
-				Drawing-No.		ST-N02FW-XP	
<b>NEUTRIK</b>							