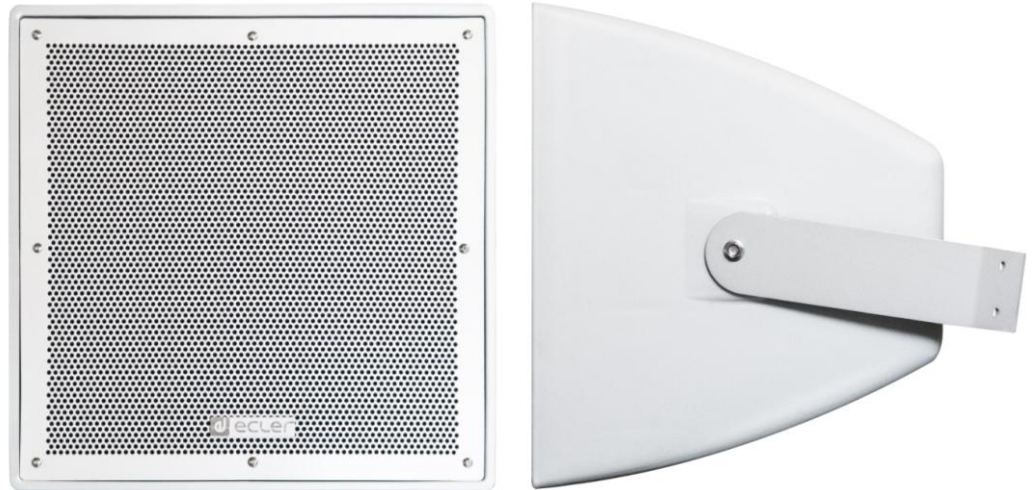


eCMP12

SPECIALIZED LOUDSPEAKERS

Musical Projector



PRODUCT OVERVIEW

eCMP12 is a 300W high efficiency musical projector ready for outdoor applications due to its waterproof and sun screening building material (IP56). It performs an 12" LF driver and 1,7" HF coaxial driver, 300W @ 8 Ω nominal power and 70/100V line transformer with 50/100/200W/8 Ω power options.

KEY FEATURES

- Weatherproof 2-way music projector
- 300 W @ 8 Ω
- Power options 100V: 50/100/200W/OFF and 8 Ω
- Power options 70V: 25/50/100W/OFF and 8 Ω
- Input & output connection via terminal block
- Dispersion (HxV): 80° x 80°
- Material: Polypropylene, aluminium (grille), hot-dipped galvanized steel (U-bracket)
- Wheather-resistant IP56 rating

APPLICATIONS

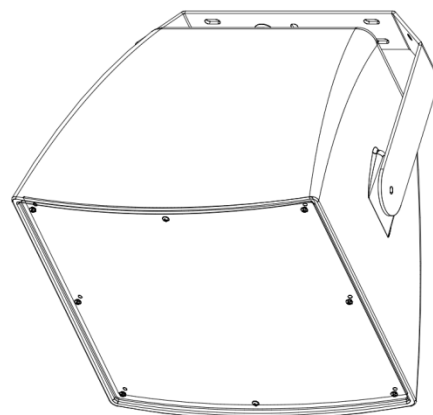
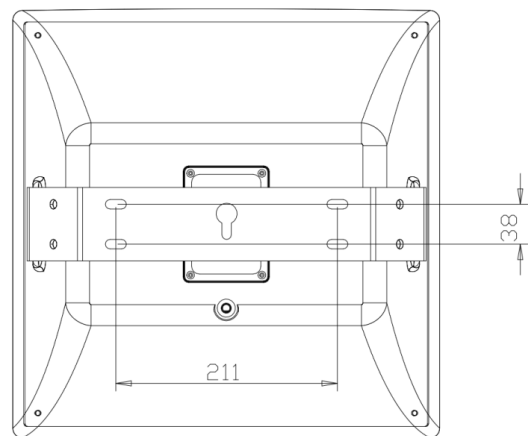
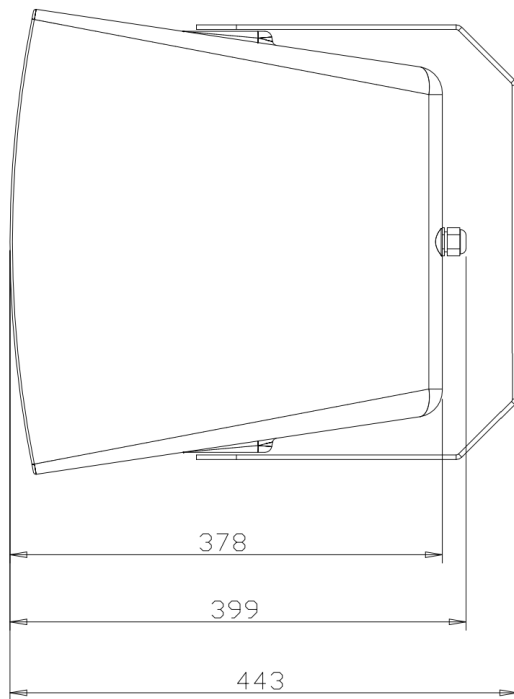
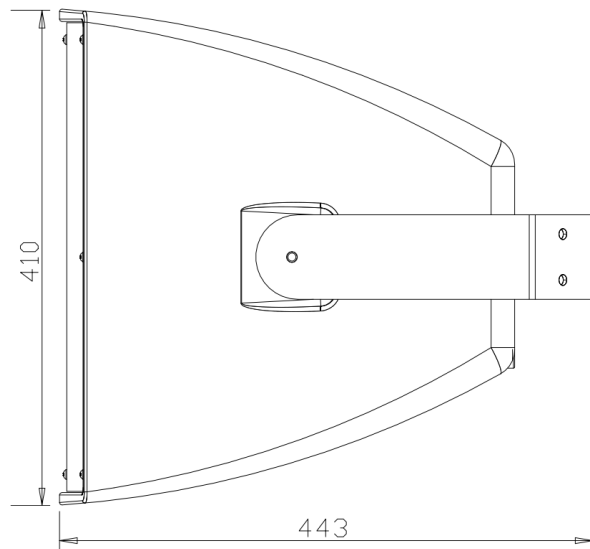
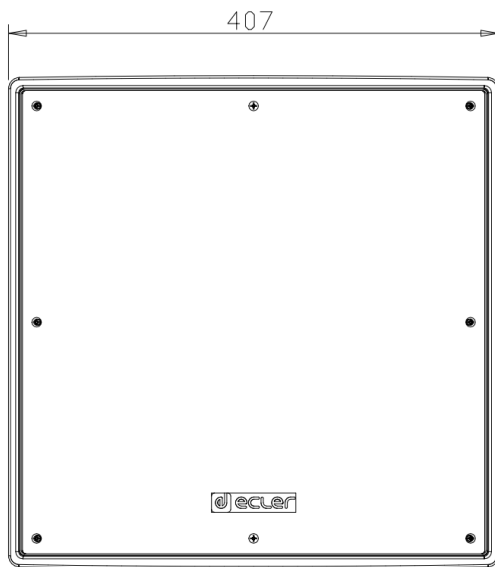
- Commercial
- Hospitality
- Education
- Corporate
- Sports and wellness
- House of worship
- Leisure

TECHNICAL SPECIFICATIONS

eCMP12

Speaker type	Long throw, 2 way
Nominal impedance	8Ω
RMS/Peak power (8Ω)	300/600W
Power options	100V: 50W / 100W / 200W / OFF / 8 Ω 70V: 25W / 50W / 100W / OFF / 8 Ω
Frequency response (-3dB)	60 Hz ÷ 18 kHz
Sensitivity 1W/1m	98dB
Max sound pressure @ 1m	122dB
Crossover frequency	2,1 kHz (passive)
Drivers	12" (LF) & 1,7" (HF)
Dispersion (HxV)	80° x 80°
Connections	Terminal block (Input + Output)
IP Rating	IP56
Finished color	Grey (RAL 538C)
Material	Polypropylene, aluminium (grille), hot-dipped galvanized steel (U-bracket)
Dimensions	407 x 410 x 378mm / 16.0" x 16.1" x 14.9"
Weight	20,0 kg. / 44.1 lb.

MECHANICAL DIAGRAMS





All product characteristics are subject to variation due to production tolerances. **NEEC AUDIO BARCELONA S.L.** reserves the right to make changes or improvements in the design or manufacturing that may affect these product specifications.

Motors, 166-168 08038 Barcelona - Spain - (+34) 932238403 | information@ecler.com | www.ecler.com