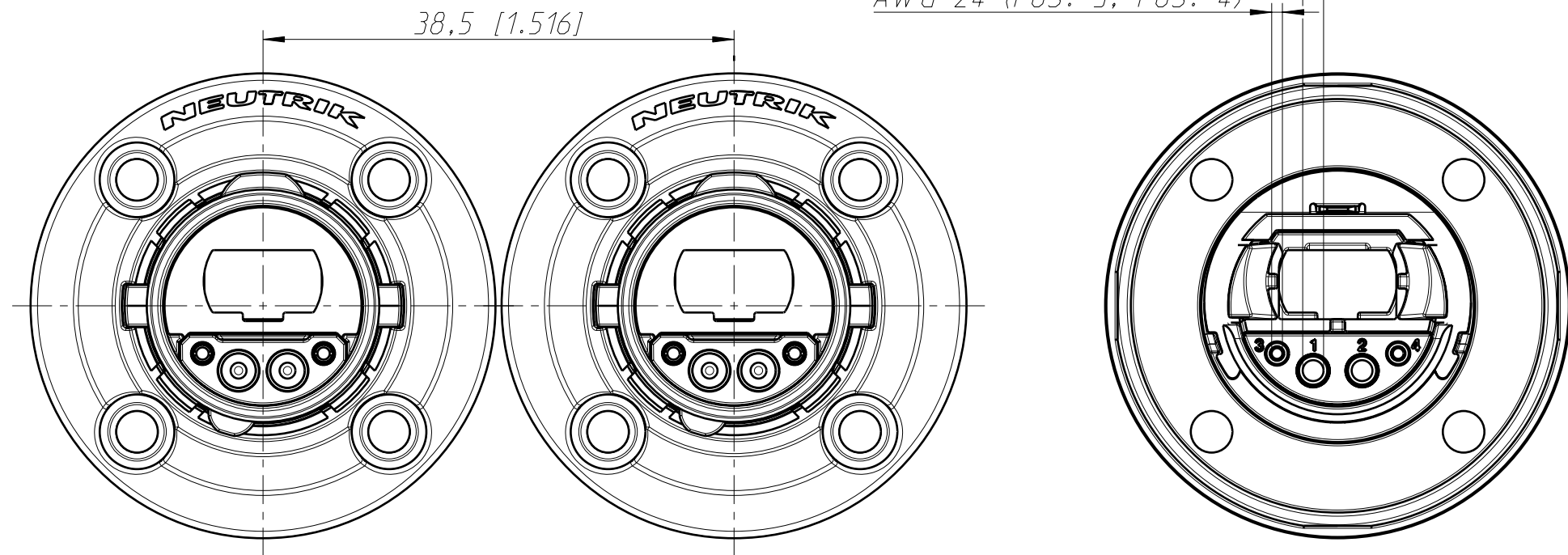
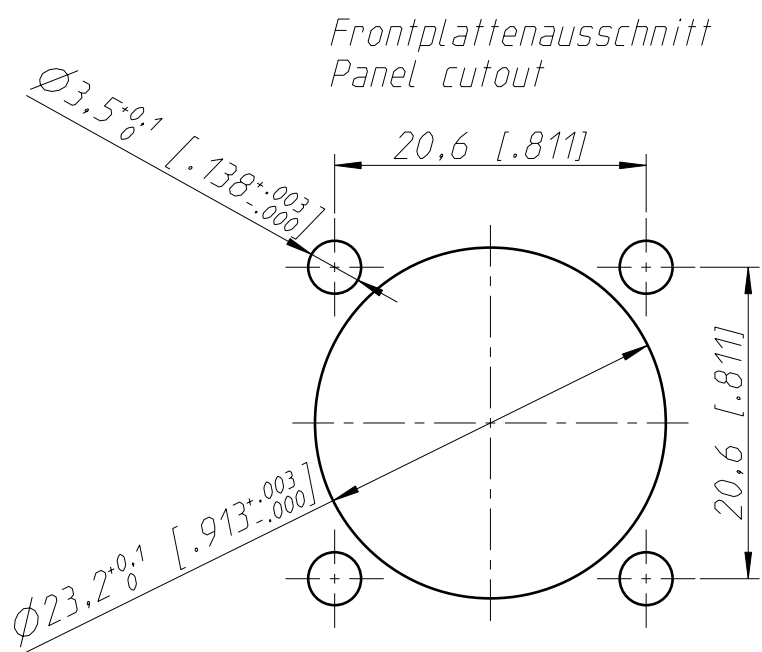


ACHTUNG: Frontplatte auf dieser Seite montieren!
 ATTENTION: Front panel has to be mounted on this side!

min. Einbauabstand
 min. assembling distance

AWG 18 (POS. 1, POS. 2)
 AWG 24 (POS. 3, POS. 4)



General tolerances ISO 2768-m		Scale		Date		Name	
Refer to protection notice ISO 16016.		2:1 (A3)		09.05.2019		Mangeng	
Name		Dragonfly		Modified		-	
		ST-N02MW-XP		Change-No.		Sheet-No.	
				-		1 / 1	
				Replacement for:			
		NEUTRIK		Drawing-No.		ST-N02MW-XP	