

产品规格书

产品类型 卡侬插头 (XLR Cable Connectors)

Product type

产品型号 SCSF4-B

Product NO.

客户名称

Customer

生产方	核准 (APPROVAL)	审核 (AUDIT)	制作 (COMPILE)
Manufacturer			

客户方	核准 (APPROVAL)	审核 (AUDIT)	承认 (ACCEPT)
(Customer)			

一、SCSF4-B 产品外观 (Product Appearance)



二、产品特性 (Product features)

- ✔ 全新的外观设计，操作更平滑
New design for the Key, easy operate
- ✔ 新的接地（底盘和电缆接插件之间良好的完整接触）
New ground contact-excellent contact integrity between chassis and cable connector
- ✔ 彩色尾套用于编码和识别
Colored boots available for coding or identification
- ✔ 尾套带聚氨酯密封套，更大限度防止电缆受弯曲压影响
Boot with polyurethane gland gives high protection to cable bending stresses

三、技术参数 (Technical parameters)

1. 产品参数 (Product parameters)

连接类型(Connection Type)	XLR
公母性(Gender)	female

2. 电气参数 (Electrical parameters)

触点间电容 (Capacitance between contacts)	$\leq 7\text{pF}$
接触电阻 (Contact resistance)	$\leq 3\text{m}\Omega$
介电强度 (Dielectric strength)	1.5kVdc
绝缘电阻 (Insulation resistance)	$> 10\text{G}\Omega$ (initial)

每触点间额定电流(Rated current per contact)	10A
额定电压(Rated voltage)	<50V

3.机械参数 (Mechanical parameters)

电缆线径 (Sign Cable O.D.)	Black Strain relief: 3.5-6mm White Strain relief : 6-8mm
插入力 (Insertion force)	≤ 20N
拔出力 (Withdrawal force)	≤ 20N
使用寿命 (Service life)	> 1000 mating cycles
电线尺寸 (Wire size)	Max. 1.5 mm ²
电线尺寸 (Wire size)	Max. 16 AWG
锁定装置 (Locking device)	Latch lock

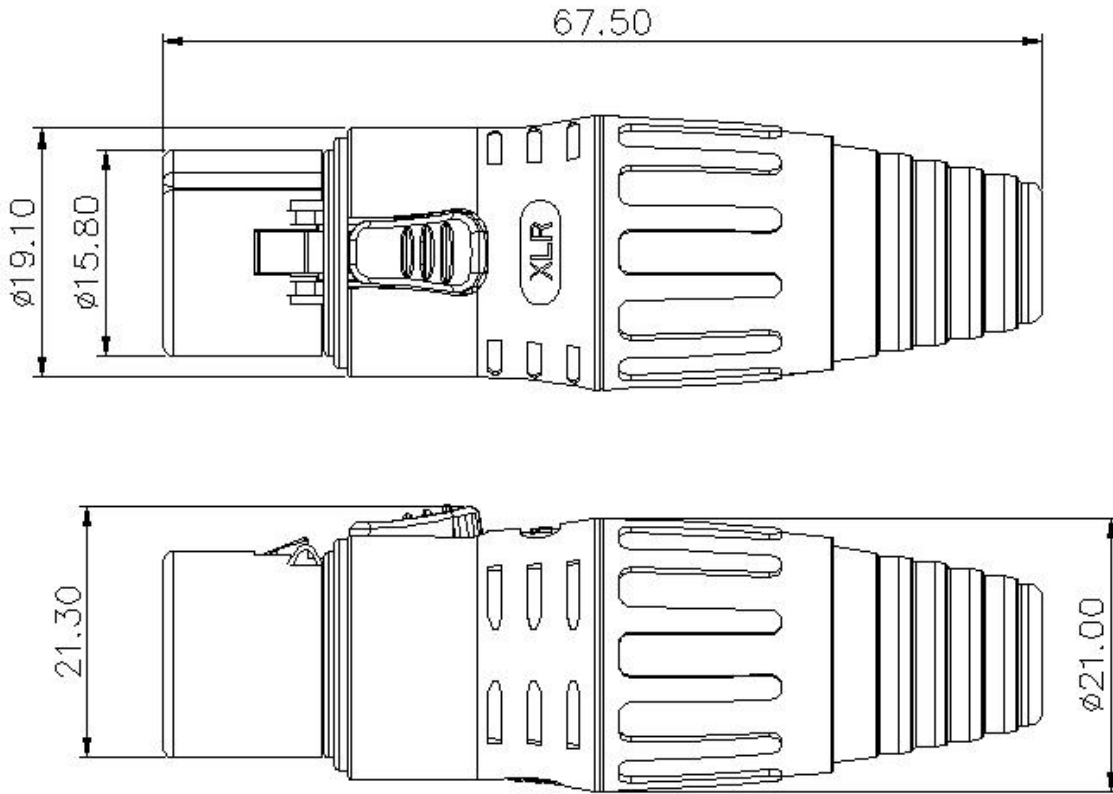
4.材料和环境 (Material and environmental parameters)

尾套 (Boot)	Polyurethan
触点 (Contacts)	Cu alloy
触点电镀 (Contact plating)	Ag
内芯 (Insert)	Polyamide (PA 66 +30 % GF)
按键 (Locking element)	Zinc diecast (ZnAl4Cu1)
外壳 (Shell)	Zinc diecast (ZnAl4Cu1)
外壳电镀 (Shell plating)	Black coating
线夹 (Strain relief)	Polyacetal (POM)
阻燃等级 (Flame-retardant grade)	UL 94 HB
防护等级 (Protection class)	IP40
使用温度范围 (Temperature range)	-30°C to +80°C

5.标准和规范 (Standard)

标准 (Standard)	IEC 61076-2-103
可焊性 (Solderability)	Complies with IEC 68-2-20

四、产品外形尺寸 (Product Profile)



单位: mm

五、安装使用说明 (Installation instructions)

